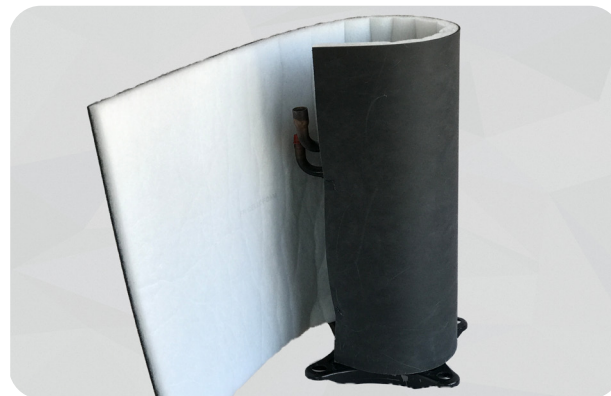


DATA SHEET

soni COMPRESSOR JACKET SB 700

- ▶ Our **soni SB 700** sound-insulation panel is a two-layer product consisting of a highly sound-absorbing, hydrophobic polyester non-woven and a synthetic heavy layer (**soni EVA 6-01**).

This newly developed combination has both sound-absorbing and sound-insulating capacity with especially high effectiveness in the frequency range of compressors. This makes it the optimum solution for substantially reducing the noise pollution caused by the compressors typically used in heat pumps or air-conditioning systems.



TECHNICAL DATA

FLAMMABILITY	<ul style="list-style-type: none"> ▶ Fulfills the strict fire safety standard for the automotive industry (FMVSS 302, DIN 75 200) ▶ ISO 3795, burning rate < 100 mm/min
TEMPERATURE RESISTANCE	▶ on the compressor side up to +150°C

DIMENSIONS

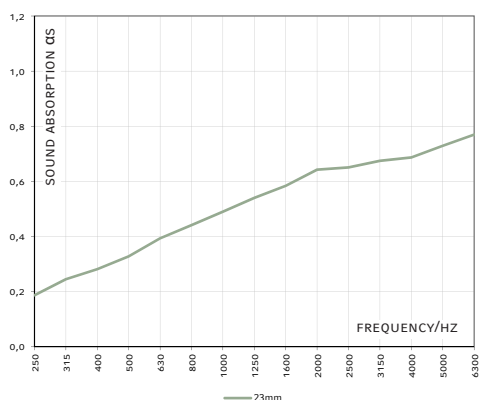
PRODUCT	THICKNESS [mm]	SHEETS / THICKNESS [mm]	WEIGHT PER SHEET
SB 700	23	1000 X 500 ± 5	3,3 kg

BENEFITS

- ▶ An optimally adjusted soni SB 700 compressor jacket can reduce the sound level by up to 6 dB.
- ▶ In a few simple steps you can build a DIY compressor jacket. Just follow our assembly instructions.
- ▶ Easy-to-open jacket for maintenance access at any time

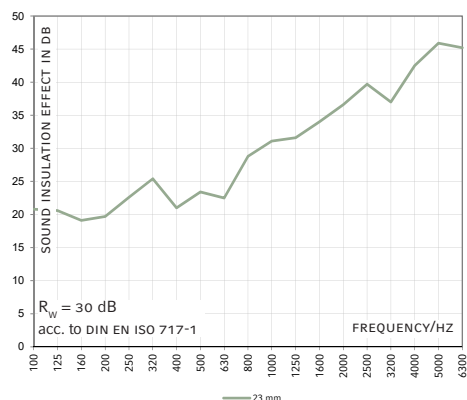
REVERBERATION ROOM

- ▶ Based on DIN EN ISO 354



SOUND TRANSMISSION LOSS

- ▶ Test procedure similar to DIN EN ISO 10140-2



PLEASE SEE OUR PROCESSING AND STORAGE INSTRUCTIONS

Details and values given in this leaflet are average values and have been compiled with care. They are not binding, however, and Cellofoam International GmbH & Co. KG disclaims any liability for any damages and detriments, also in connection with any third party's rights. The information given does not release the buyers from making the necessary experiments and tests themselves. Subject to technical changes. For updates please go to our website.

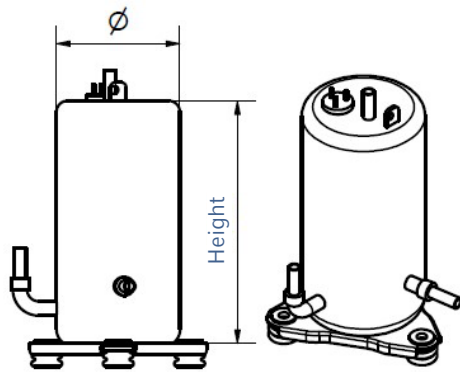
Cellofoam International GmbH & Co. KG
Business unit soniflex
P: +49 7351 340 28 61
sales@soniflex.de / www.soniflex.de

VERSION 01/21

Distribution partner for Switzerland:
soniflex Switzerland
P: +41 44 377 60 50
einkauf@soniflex.ch / www.soniflex.ch

ASSEMBLY INSTRUCTION FOR SONI SB 700 COMPRESSOR JACKET

1.



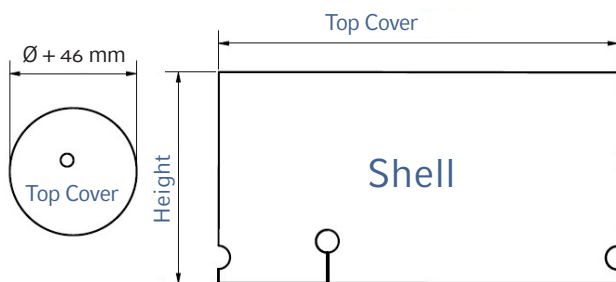
Measure the compressor dimensions:

- ▶ Diameter and height

Accessories and tools:

- ▶ Cardboard cutter
- ▶ Folding rule
- ▶ Steel ruler
- ▶ Pencil

2.



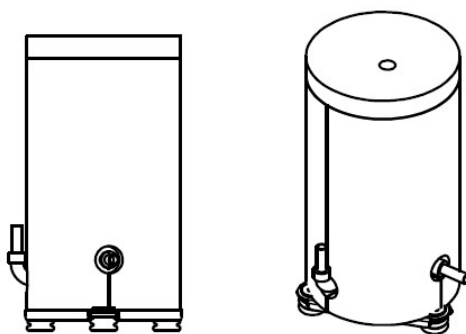
Cut out the shell and the top cover from the soni SB 700 panel.

- ▶ Top cover: $\text{Ø} + 46 \text{ mm}$
- ▶ Shell: $(\text{Ø} + 45 \text{ mm}) \times 3.14$

Place the parts around resp. on the compressor. Mark the positions of the tubes etc. and create the corresponding openings.

Advice: Loose fit of the shell is preferable.

3.



Fit the shell (black face on the outside) snugly around the compressor. Place the cover on the top and seal the seams with soni VLC-01 adhesive tape.



PLEASE SEE OUR PROCESSING AND STORAGE INSTRUCTIONS

Details and values given in this leaflet are average values and have been compiled with care. They are not binding, however, and Cellofoam International GmbH & Co. KG disclaims any liability for any damages and detriments, also in connection with any third party's rights. The information given does not release the buyers from making the necessary experiments and tests themselves. Subject to technical changes. For updates please go to our website.

Cellofoam International GmbH & Co. KG
Business unit soniflex
P: +49 7351 340 28 61
sales@soniflex.de / www.soniflex.de

Distribution partner for Switzerland:
soniflex Switzerland
P: +41 44 377 60 50
einkauf@soniflex.ch / www.soniflex.ch